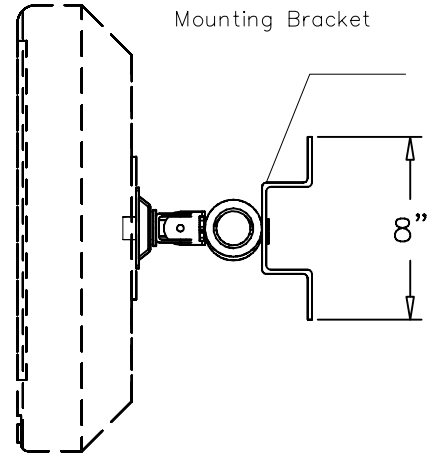
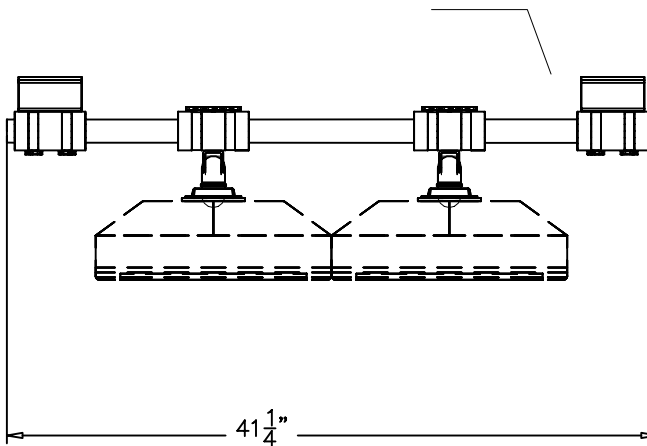


ISO View



Side Elevation

Center Knob to lock into brass washer



PLAN View

MATERIAL :	DRAWN BY : Larissa V	DATE: 04.06.06	DESCRIPTION :	
	A P P R O V E D		2monitors wall setup	
TOLERANCES UNLESS OTHERWISE SPECIFIED FRACTIONAL ±1/64 2 PL.. DEC. ±.01 3PLC. DEC. ±.001 ANGULAR ±.5' FINISH √ ₃₂	EN :		USED ON :	
	MFG. :		PATH : design development\Wall mounts	
	QA :		FILE NAME:	REV: SIZE
	SCALE: N.T.S.	SHEET : 1 OF 1	WMPLE-2MH	A