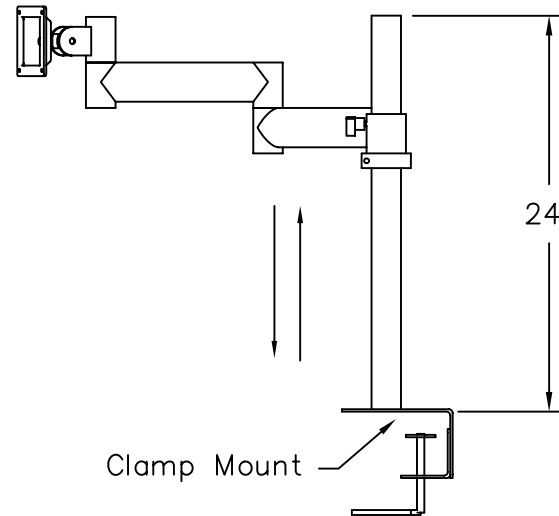
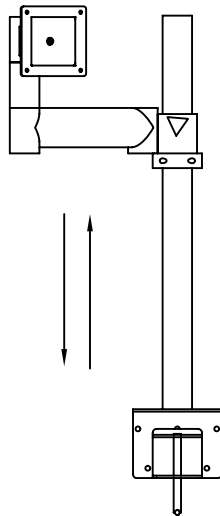
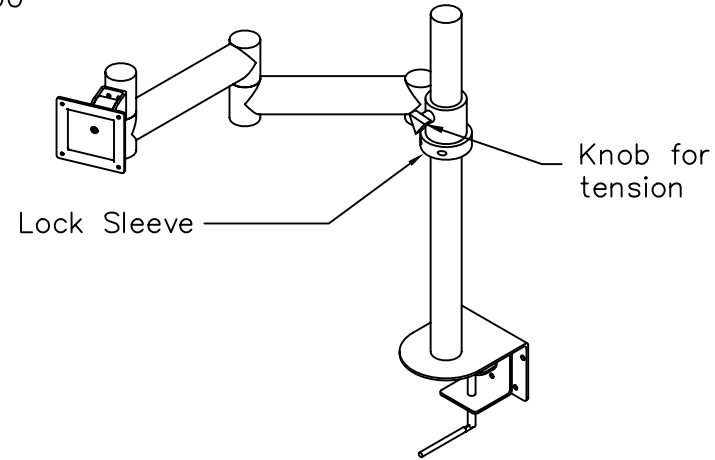
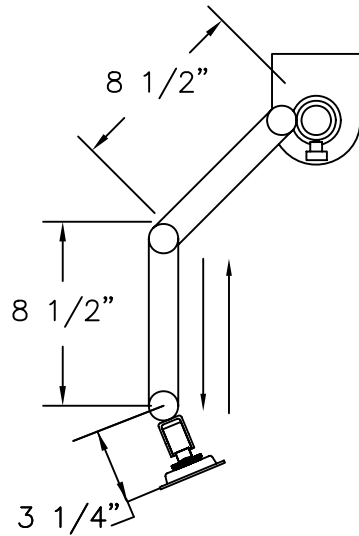


VESA 75 / 100  
Compatible



(1)Retractable  
Monitor Holders  
for 1 Flat Panel

NOTES :

MATERIAL :  
AS NOTED ABOVE

TOLERANCES UNLESS OTHERWISE SPECIFIED

FRACTIONAL ±1/64  
2 PLC. DEC. ±.01  
3PLC. DEC. ±.001  
ANGULAR ±.5°  
FINISH √32

DRAWN BY : RS  
A P P R O V E D

DATE 12/11/06

ENG :  
MFG :  
QA :

SCALE : N.T.S. SHEET : 1 OF 1

DESCRIPTION :  
MONITOR ARM-CLAMP MOUNT

USED ON :

PATH :  
ACCESSORIES\MONITOR ARMS\Z SERIES\  
PDF NAME:  
AFCZ200-01