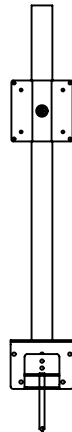
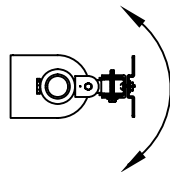
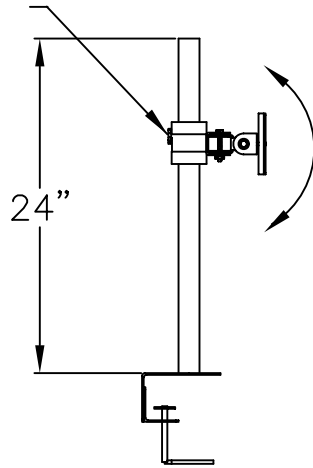
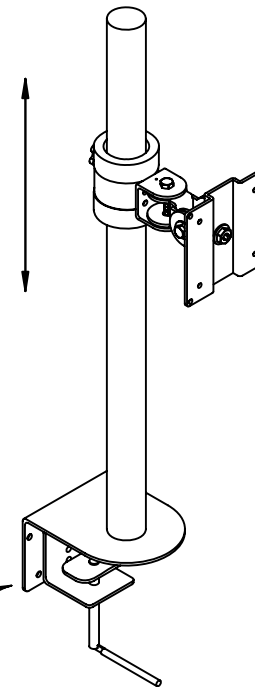
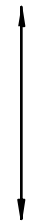


Knob for Tension



Vertical Adjustable



Clamp Mount

NOTES :

MATERIAL :
AS NOTED ABOVE

TOLERANCES UNLESS OTHERWISE SPECIFIED

FRACTIONAL ±1/64
2 PLC. DEC. ±.01
3PLC. DEC. ±.001
ANGULAR ±.5°
FINISH √32

DRAWN BY : R.S. DATE: 12/14/06

A P P R O V E D

ENG :
MFG :
QA :

SCALE : N.T.S. SHEET : 1 OF 1

DESCRIPTION : AFCPole

USED ON :

PATH :
FinalAssemb/Acessories/MonitorsArms/DesktopSeries/2006

PDF NAME: AFCPole