

AFC17
VESA 75 /100
COMPLIANT PLATE

19.25"W KEYBOARD
TRAY w/SLIDING
MOUSE TRAY

HANDLE

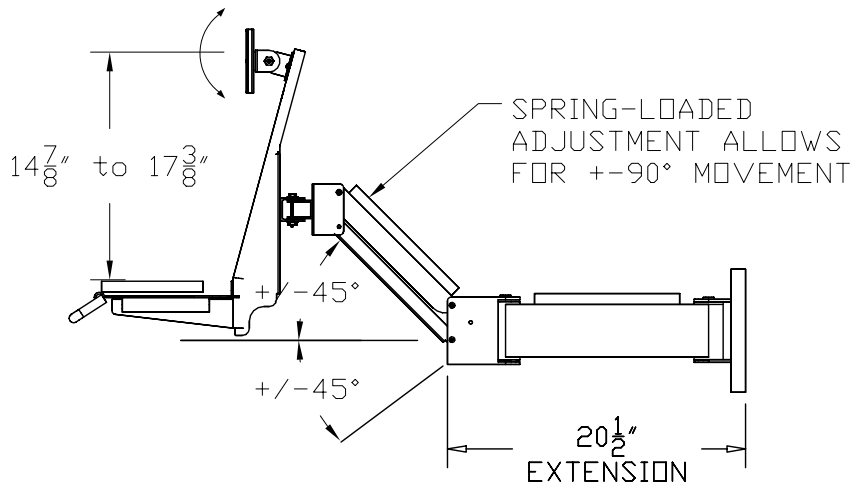
3.25"W x 8.50"H
BRACKET FOR
MOUNTING UNIT ON
WALL

SWIVEL
POINT A

WIRE
MANAGEMENT

SWIVEL
POINT B

SWIVEL
POINT C



NOTES :

MATERIAL :
AS NOTED ABOVE

TOLERANCES UNLESS
OTHERWISE SPECIFIED

FRACTIONAL ±1/64
2 PLC. DEC. ±.01
3PLC. DEC. ±.001
ANGULAR ±.5°
FINISH 32/√

DRAWN BY : PES

DATE: 8/7/06

DESCRIPTION :

MONITOR ARM

A P P R O V E D

ENG :

MFG :

QA :

SCALE : N.T.S.

SHEET : 1 OF 1

USED ON :

PATH :
FIN. ASSEMBLIES\ACCESSORIES\MONITOR ARMS\AFC80

PDF NAME:
AFC78_21_01

REV: SIZE
A