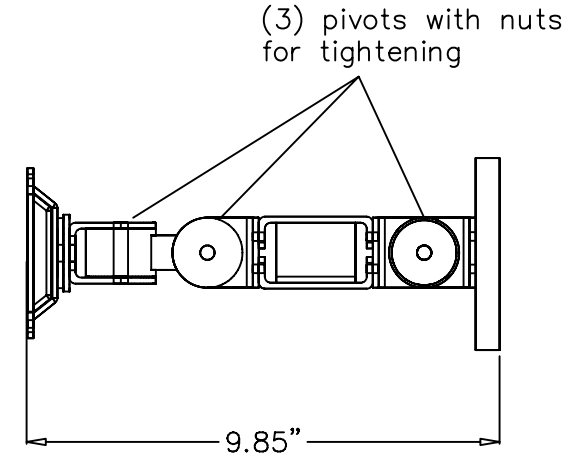
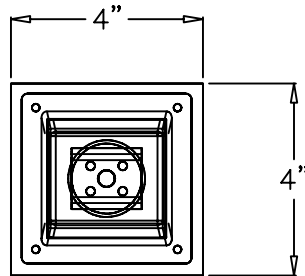


Monitor Holder
Vesa 75 / 100
Compliant



NOTES :

MATERIAL :
AS NOTED ABOVE

TOLERANCES UNLESS OTHERWISE SPECIFIED

FRACTIONAL ±1/64
2 PLC. DEC. ±.01
3PLC. DEC. ±.001
ANGULAR ±.5°
FINISH 32/

DRAWN BY : V.G.M

A P P R O V E D

ENG :

MFG :

QA :

SCALE : 1:4

DATE: 10/11/05

SHEET : 1 OF 1

DESCRIPTION :

AFC18 Wall Mount Monitor Holder

USED ON :

PATH :

F.Assembly\Accessories\Monitors\Wall mount

PDF NAME: AFC18