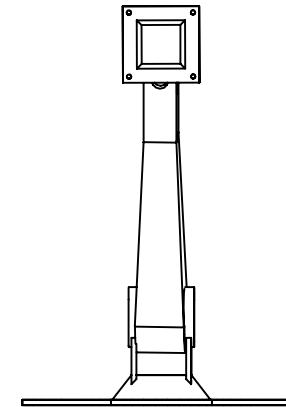
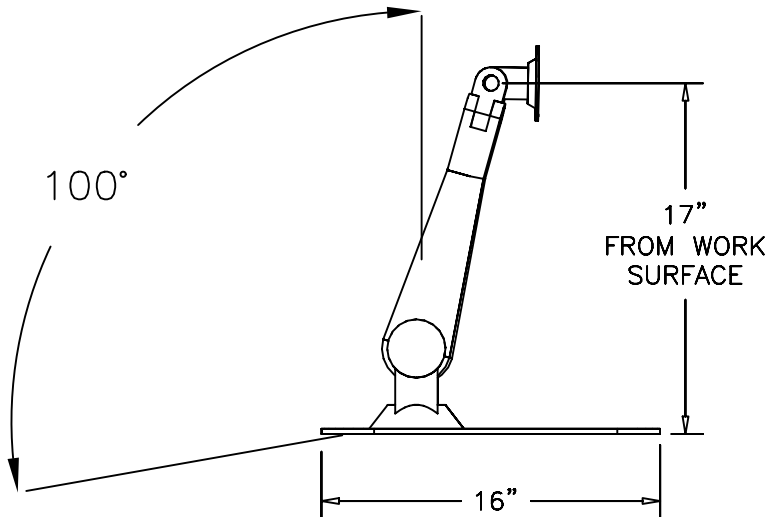


Standard VESA 75 /100 Mounting Plates

0.25"Thk Base Plate



NOTES :

MATERIAL :

AS NOTED ABOVE

TOLERANCES UNLESS OTHERWISE SPECIFIED

FRACTIONAL ±1/64
2 PLC. DEC. ±.01
3PLC. DEC. ±.001
ANGULAR ±.5°
FINISH $\sqrt{32}$

DRAWN BY : RS

DATE: 12/15/06

DESCRIPTION : Base Mounted monitor Arm

A P P R O V E D

BASE MOUNTED MONITOR ARM

ENG :

USED ON :

MFG :

PATH :
FinalAssemblies/Accessories/MonitorsArms/DescptopSeries/2006

QA :

PDF NAME:
AFC03-DETAILS

FOLDER :

REV: SIZE
A

SCALE : N.T.S.

SHEET :